

## DREAM



### DESCRIPTION

#### Seat and backrest

- Upholstered seat and backrest with integrated armrests.

### FINISHES

#### LEATHER IMITATION V





**Composition:** 100% polyester PVC coated

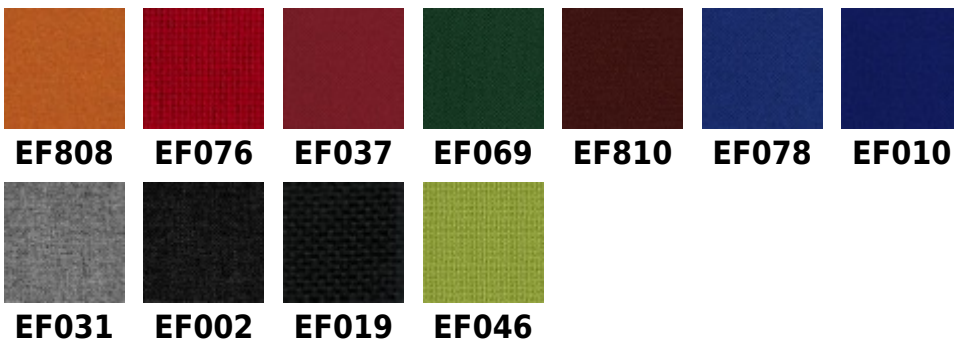
**Weight:** 460 g/m<sup>2</sup>

**Abrasion Resistance:** >=30 000 Martindale cycles

**Flammability:** the selected colours (marked as N) are fire resistant according to EN 1021-1, EN 1021-2, BS 5852-1

**Other:** easy to keep clean

### OBAN



**Composition:** 100% polypropylene

**Weight:** 230 g/m<sup>2</sup>

**Abrasion Resistance:** grade A tested in accordance with EN 14465:2003

**Flammability:** EN 1021-1

**Other:** hygienic certificate by National Hygiene Institute in Poland

### SEMPRE



**Composition:** 100% polyester

**Weight:** 366 g/m<sup>2</sup>

**Abrasion Resistance:** 160 000 Martindale cycles

**Flammability:** EN 1021-1, EN 1021-2

**Other:** hygienic certificate by National Hygiene Institute in Poland

### FINE LEATHER LE FRONT



**LE06**

**LE13**

**LE14**

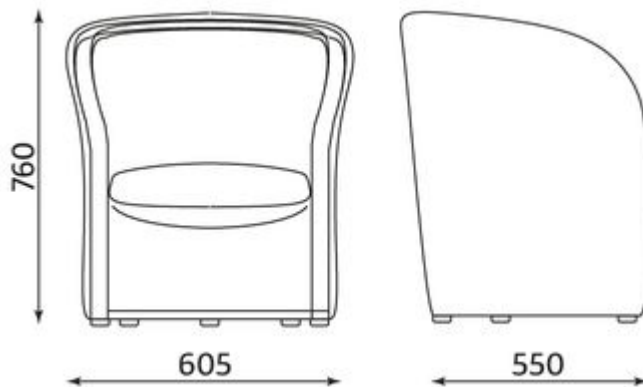
**LE01**

**Composition:** soft grain leather (0,9 - 1,1 mm), thoroughly dyed (completely dyed)

### **FINE LEATHER SD FRONT**

**Composition:** soft grain leather (0.9 - 1.1 mm), thoroughly dyed (completely dyed)

### DIMENSIONS



Width: 466

Depth: 457

All rights reserved 2013 Nowy Styl Group

#### **CONTACT**

Nowy Styl Sp. z o.o.  
Pużaka 49  
38-400 Krosno  
Tel. +48 13 43 76 100  
Fax +48 13 43 62 732  
info@nowystylgroup.com

#### **Export Department**

Mięsowicza 6  
38-400 Krosno  
Poland  
Tel. +48 13 43 76 111  
export@nowystylgroup.com

#### **Marketing Department**

Warszawska 15  
32-086 Węgrzce  
Poland  
Tel. +48 12 63 98 602