

ISO wood TE chrome



DESCRIPTION

Seat and backrest

- plywood seat and backrest

Frame

- chromium plated or powder coated metal frame

Other

- Link-linking chairs in a rows by means of a plastic covers on a chair's legs
- plywood folding writing top available for the right- and left handed

FINISHES

METAL ELEMENTS (chrome/alu/black)



CHROME



ALU



BLACK

STANDARD STAIN COLOUR



**1.007
beech**



**1.040
alder**



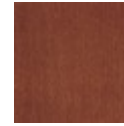
**1.010
orange**



**1.008
cognac**



**1.016
mahogany**



**1.042
cherry**



**1.023
palisander**



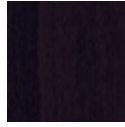
**1.031 dark
walnut**



**1.033
wenge**



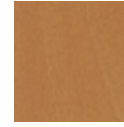
**1.043
black**



**1.032
Colombo**



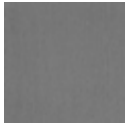
**1.076
Havana**



**1.025
Calvados**

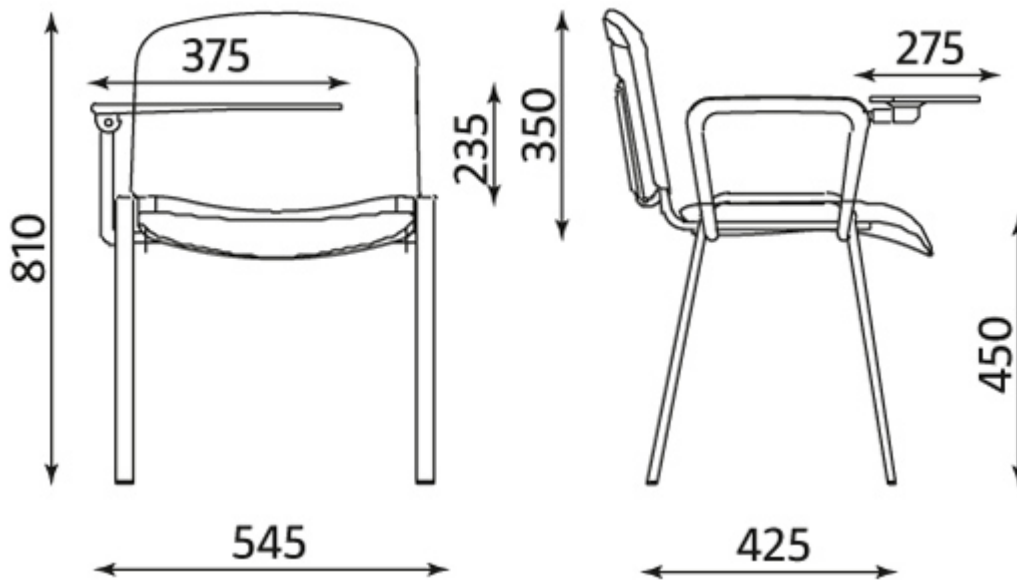


**1.06R Beech
Grey**



**1.06S
Slate**

DIMENSIONS



All rights reserved 2013 Nowy Styl Group

CONTACT

Nowy Styl Sp. z o.o.
Pużaka 49
38-400 Krosno
Tel. +48 13 43 76 100
Fax +48 13 43 62 732
info@nowystylgroup.com

Export Department

Mięsowicza 6
38-400 Krosno
Poland
Tel. +48 13 43 76 111
export@nowystylgroup.com

Marketing Department

Warszawska 15
32-086 Węgrzce
Poland
Tel. +48 12 63 98 602